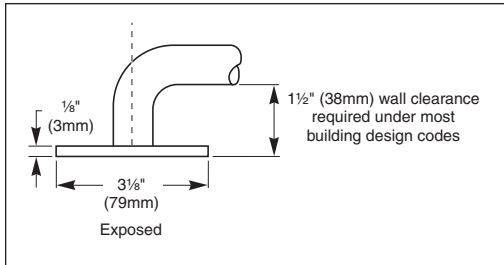


How to measure grab bars:

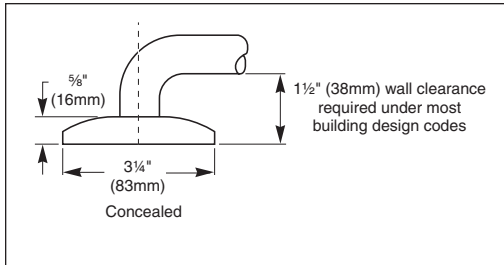
Measuring for Exposed Flange



817, 837, 857 Series

NOTE: Dimensions are from center line of mounting flange or center line of grab bar. Where applicable, add 1/16" to dimensions shown.

Measuring for Concealed Flange

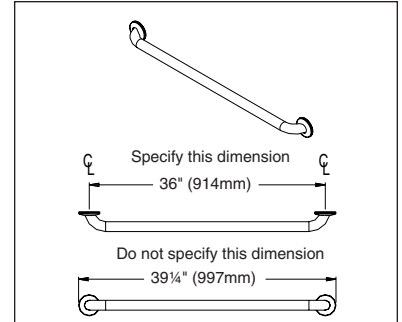


812, 832, 852 Series

NOTE: Dimensions are from center line of mounting flange or center line of grab bar. Where applicable, add 1/16" to dimensions shown.

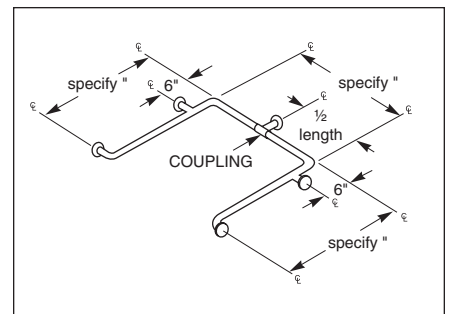
Example: 001 Configuration

All grab bar configurations are specified using centerline to centerline dimensions.



Example: 060 Configuration

NOTE: If wall dimensions are given, to obtain length of side bars, take clearance (1 1/2") plus 1/2 of diameter of Grab Bar Series, plus an additional 2", and subtract from side wall dimension.

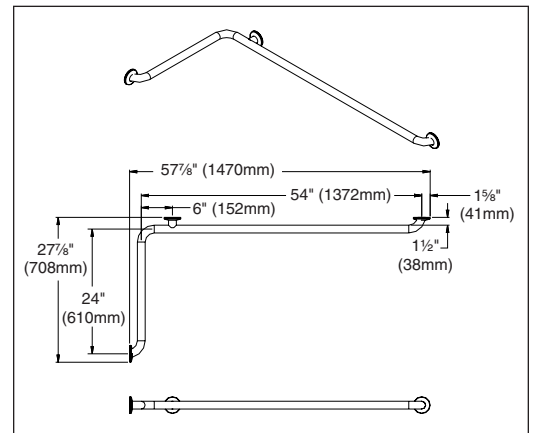


To obtain back bar dimension, take clearance (1 1/2") plus 1/2 of diameter of Grab Bar Series and subtract twice from back wall dimension.

EXAMPLE: 812 Series
If wall dimensions are 30" x 58" x 30", bar dimensions would be 25 3/4" x 53 1/2" x 25 3/4".

Example: 030, 031, 034, 035, 036, 037 and 059 Configurations

Specification calls for a 24" x 54" grab bar. Dimensions are from centerline to centerline.



© 2011 Bradley Corporation

Washroom Accessories
Document No. 8860

Page 2 of 2

This information is subject to change without notice.

Always consult local and national codes for proper installation guidelines. Conformity and compliance to local and national codes is the responsibility of the installer.

3-9-2011

Distributed by
www.Ameraproducts.com
Phone: (800) 608-6568
Fax: (409) 840-5545
info@ameraproducts.com